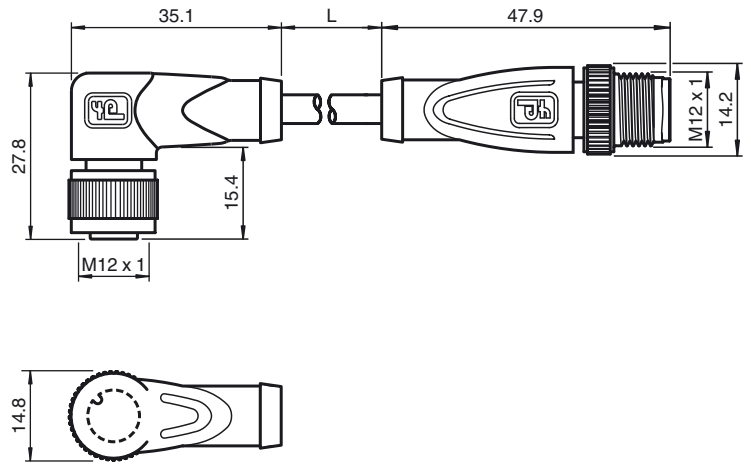


Dimensions



Model Number

V1-W-OR1,5M-POC-V1-G

Connection cable, M12 to M12, 4-pin, TPE cable, welding-bead resistant

Features

- Resistant to welding bead formation
- Suitable for robotic applications / torsion resistant
- Does not give off silicone
- Ozone resistant
- Knurled nut suitable for tool assembly
- Immunity to vibration, with mechanical latching
- Gold-plated and machined contacts
- Degree of protection IP67 / IP68 / IP69K

Technical data

General specifications

Number of pins 4

Electrical specifications

Operating voltage U_B max. 250 V AC/DC
 Operating current I_B max. 4 A
 Contact resistance < 10 mΩ

Ambient conditions

Ambient temperature Body: -40 ... 90 °C (-40 ... 194 °F)
 Cable, flexing:
 -15 ... 120 °C (5 ... 248 °F) for 20000 h
 -15 ... 150 °C (5 ... 302 °F) for 3000 h
 cable, fixed:
 -40 ... 120 °C (-40 ... 248 °F) for 20000 h
 -40 ... 150 °C (-40 ... 302 °F) for 3000 h
 Pollution degree 3

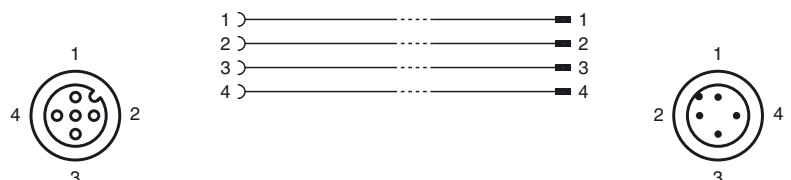
Mechanical specifications

Contact elements spring-loaded contact socket
 Pin diameter 1 mm
 Degree of protection IP67 / IP68 / IP69K
 Material
 Contacts CuSn / Au
 Contact surface Au
 Body TPU, green
 Cable TPE resistant to welding bead formation
 Slotted nut Diecast zinc
 Sleeve connector Diecast zinc
 Core insulation ETFE
 Cable fine-strand, flexible
 Sheath diameter Ø 4.8 mm
 Bending radius > 10 x cable diameter, moving
 Color orange
 Cores 4 x 0.34 mm²
 Conductor construction 19 x 0.16 mm Ø
 Length L 1.5 m
 Flammability
 Contact carrier 94 HB
 Housing 94 V-2
 Cable flame-resistant

Compliance with standards and directives

Standard conformity
 Degree of protection EN 60529:2000
 Standards IEC 61076-2-101:2008
 Flammability Body: UL 94
 Line: UL 1581 Section 1061; IEC 60332-1-2:2004

Electrical connection



Release date: 2017-02-16 07:51 Date of issue: 2017-02-16 233478_eng.xml